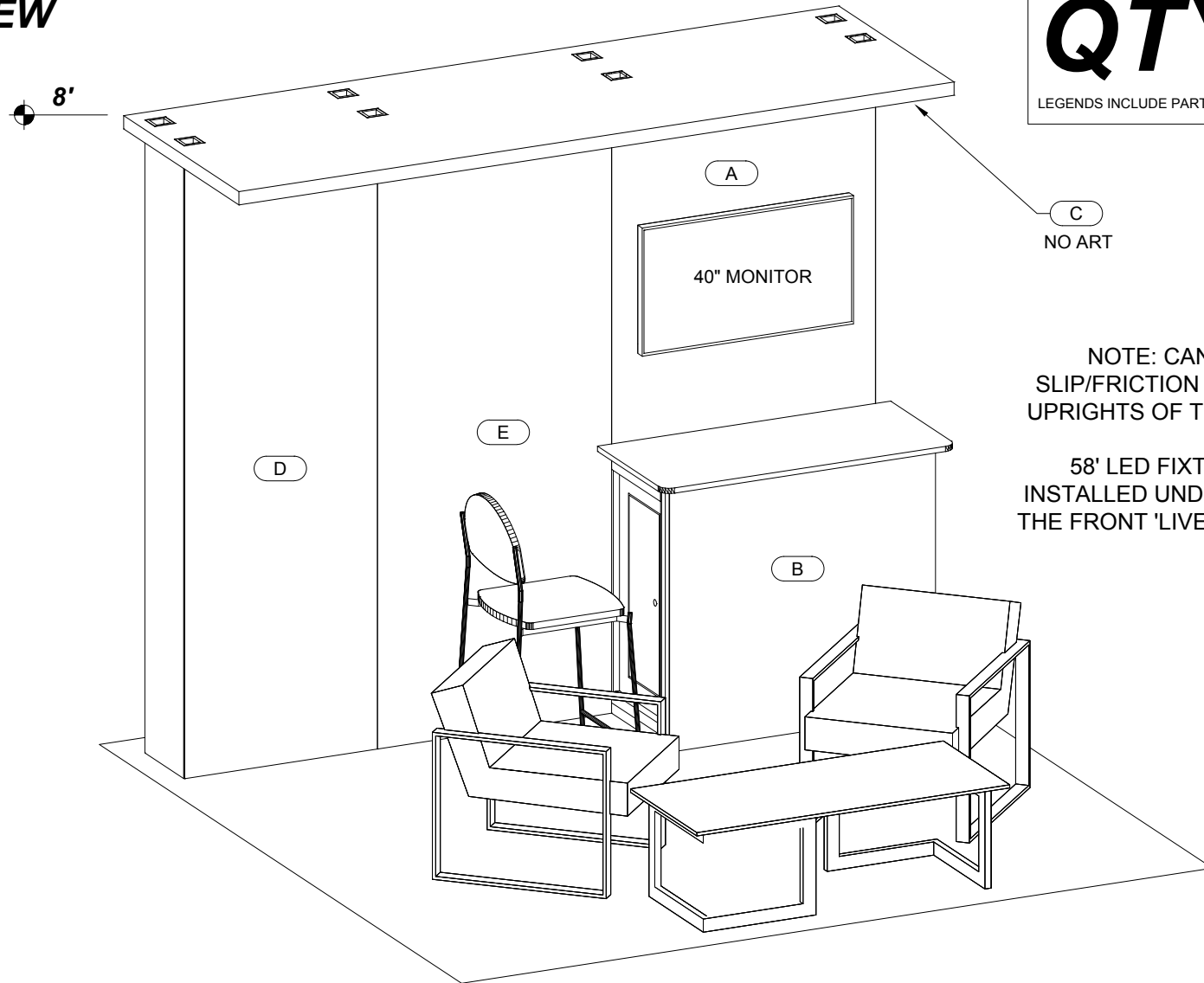


# ISOMETRIC VIEW

**QTY 6**  
 LEGENDS INCLUDE PARTS TO BUILD 6 TOTAL UNITS



NOTE: CANOPY IS A SLIP/FRICTION FIT OVER THE UPRIGHTS OF THE BACKWALL.

58' LED FIXTURE TO BE INSTALLED UNDER CANOPY AT THE FRONT 'LIVE AREA' CENTER

Art Panels (x6)										
#	Qty	Part Number	Color A	Color B	Art	Length	Height	Material	Note	
A	6	PNL_1070-1370	White	White	S	42 1/8 [1070]	53 7/8 [1370]	Trovicel	Art	
B	6	PNL_1079-1020	White	White	S	42 1/2 [1079]	40 1/8 [1020]	Trovicel	Art	
C	6	PNL_2902-970	White	White	S	114 1/4 [2902]	38 1/4 [970]	Gator51	No Art, Cnc, 8 Notches, See Dwg	
D	6	PNL_782-2385	White	White	S	30 3/4 [782]	93 7/8 [2385]	Trovicel	Art	
E	6	PNL_950-2385	White	White	S	37 3/8 [950]	93 7/8 [2385]	Trovicel	Art	



**Drawing Name:** A02\_Gold Package  
**Show Code:** T165960918  
**Venue:** Hyatt Regency Hill Country Resort & Spa

**Show Name:** Best Practices for Oil & Gas  
**Designer:** A. BECKER  
**Account Exec:** O. SHAIKH  
**Date:** 4/11/2018  
**Rev. Date:** 8/21/2018

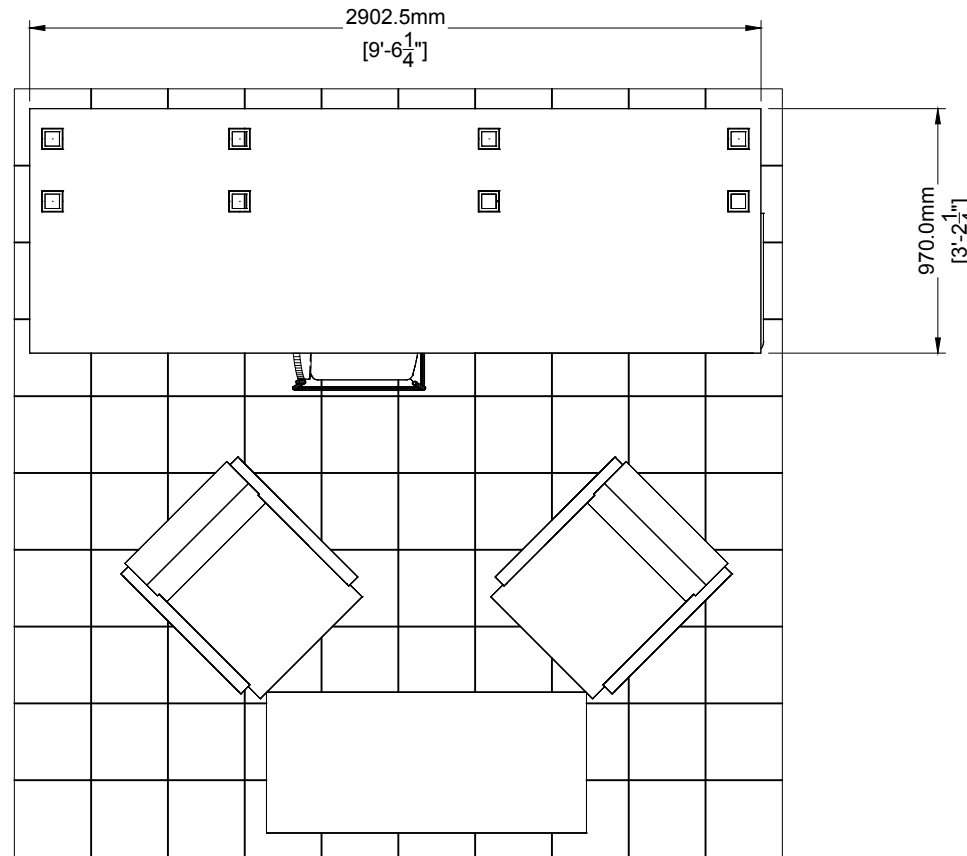
**Shepard Expo • shepardes.com**  
 1531 Carroll Dr. NW | Tel: 404.720.8600  
 Atlanta, GA 30318 | Fax: 404.720.8750

# PLAN VIEW

CARPET SIZE: 10' x 10'

# QTY 6

LEGENDS INCLUDE PARTS TO BUILD 6 TOTAL UNITS



**Drawing Name:** A02\_Gold Package

**Show Code:** T165960918

**Venue:** Hyatt Regency Hill Country Resort & Spa

**Show Name:** Best Practices for Oil & Gas

**Designer:** A. BECKER

**Account Exec:** O. SHAIKH

**Date:** 4/11/2018

**Rev. Date:** 8/21/2018

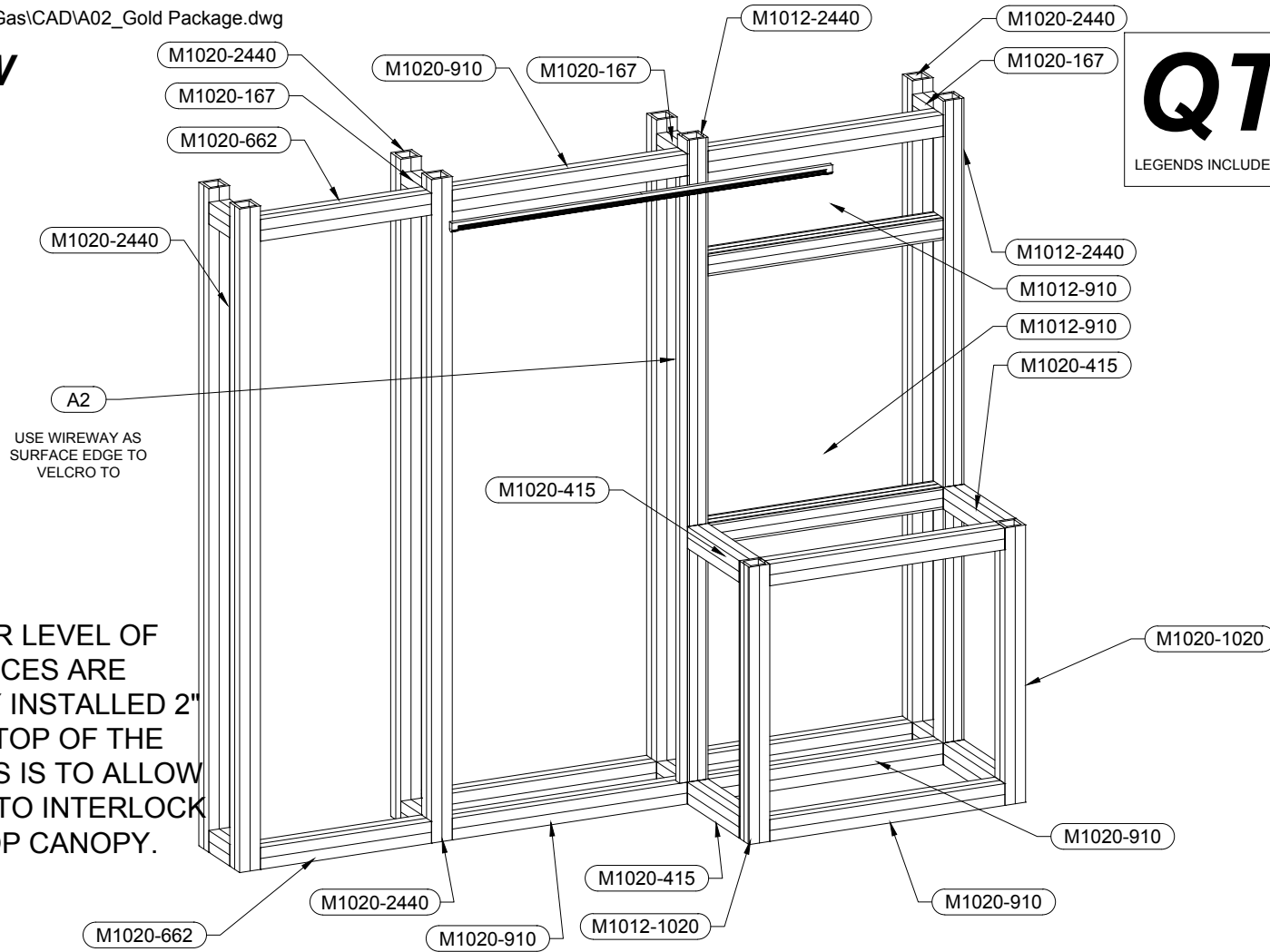
Shepard Expo • [shepardes.com](http://shepardes.com)

1531 Carroll Dr. NW | Tel: 404.720.8600  
Atlanta, GA 30318 | Fax: 404.720.8750

# METAL VIEW

# QTY 6

LEGENDS INCLUDE PARTS TO BUILD 6 TOTAL UNITS



NOTE: UPPER LEVEL OF CROSSPIECES ARE INTENTIONALLY INSTALLED 2" BELOW THE TOP OF THE UPRIGHTS. THIS IS TO ALLOW THE UPRIGHTS TO INTERLOCK INTO THE TOP CANOPY.

A2  
USE WIREWAY AS SURFACE EDGE TO VELCRO TO

Metal (x6)						
#	Qty	Part Number	Color	Length	Type	Note
M1	6	M1012-1020	Silver	40 1/8 [1020]	Maxima	
M2	12	M1012-2440	Silver	96 1/8 [2440]	Maxima	
M3	12	M1012-910	Silver	35 7/8 [910]	Maxima	
M4	6	M1020-1020	Silver	40 1/8 [1020]	Maxima	
M5	48	M1020-167	Silver	6 5/8 [167]	Maxima	
M6	36	M1020-2440	Silver	96 1/8 [2440]	Maxima	
M7	24	M1020-415	Silver	16 3/8 [415]	Maxima	
M8	12	M1020-662	Silver	26 1/8 [662]	Maxima	
M9	48	M1020-910	Silver	35 7/8 [910]	Maxima	



**Drawing Name:** A02\_Gold Package  
**Show Code:** T165960918  
**Venue:** Hyatt Regency Hill Country Resort & Spa

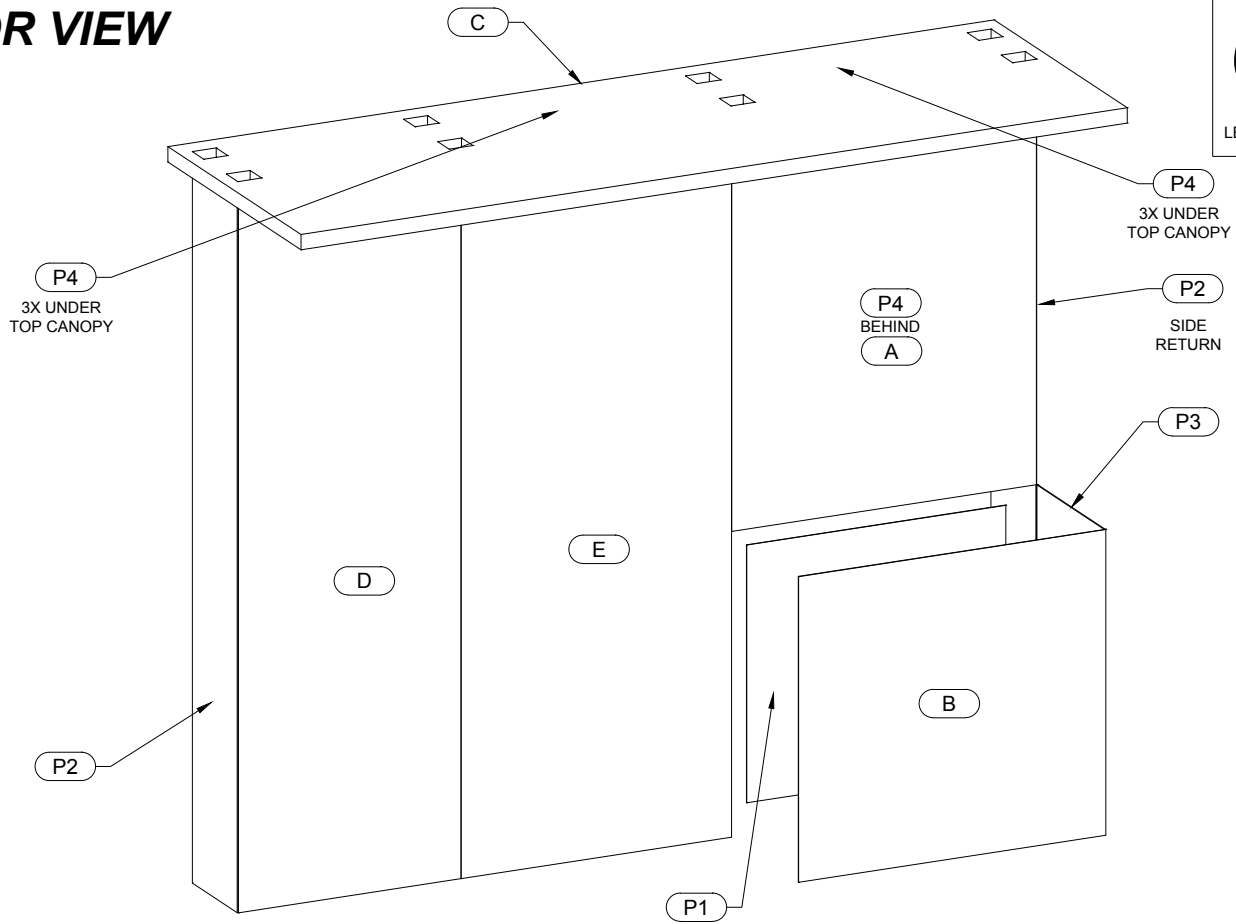
**Show Name:** Best Practices for Oil & Gas  
**Designer:** A. BECKER  
**Account Exec:** O. SHAIKH  
**Date:** 4/11/2018  
**Rev. Date:** 8/21/2018

**Shepard Expo • shepardes.com**  
 1531 Carroll Dr. NW | Tel: 404.720.8600  
 Atlanta, GA 30318 | Fax: 404.720.8750

# PANEL COLOR VIEW

## COLOR KEY

- PANEL:
- PLEXI:
- GRAPHICS:



QTY 6

LEGENDS INCLUDE PARTS TO BUILD 6 TOTAL UNITS

Non-Art Panels (x6)								
#	Qty	Part Number	Color A	Color B	Length	Height	Material	Note
P1	6	ME-872	White	White	36 1/4 [922]	34 3/8 [872]	Trovicel	
P2	12	PNL_327-2385	White	White	12 7/8 [327]	93 7/8 [2385]	Trovicel	
P3	6	PNL_492-1020	White	White	19 3/8 [492]	40 1/8 [1020]	Trovicel	
P4	36	PNL_910-247	White	White	35 7/8 [910]	9 3/4 [247]	Gator51	Adhere To Canopy
P5	6	PNL_910-910	White	White	35 7/8 [910]	35 7/8 [910]	Melamin-13	Mntr Brkt, Biscuits, In Channel

Art Panels (x6)										
#	Qty	Part Number	Color A	Color B	Art	Length	Height	Material	Note	
A	6	PNL_1070-1370	White	White	S	42 1/8 [1070]	53 7/8 [1370]	Trovicel	Art	
B	6	PNL_1079-1020	White	White	S	42 1/2 [1079]	40 1/8 [1020]	Trovicel	Art	
C	6	PNL_2902-970	White	White	S	114 1/4 [2902]	38 1/4 [970]	Gator51	No Art, Cnc, 8 Notches, See Dwg	
D	6	PNL_782-2385	White	White	S	30 3/4 [782]	93 7/8 [2385]	Trovicel	Art	
E	6	PNL_950-2385	White	White	S	37 3/8 [950]	93 7/8 [2385]	Trovicel	Art	



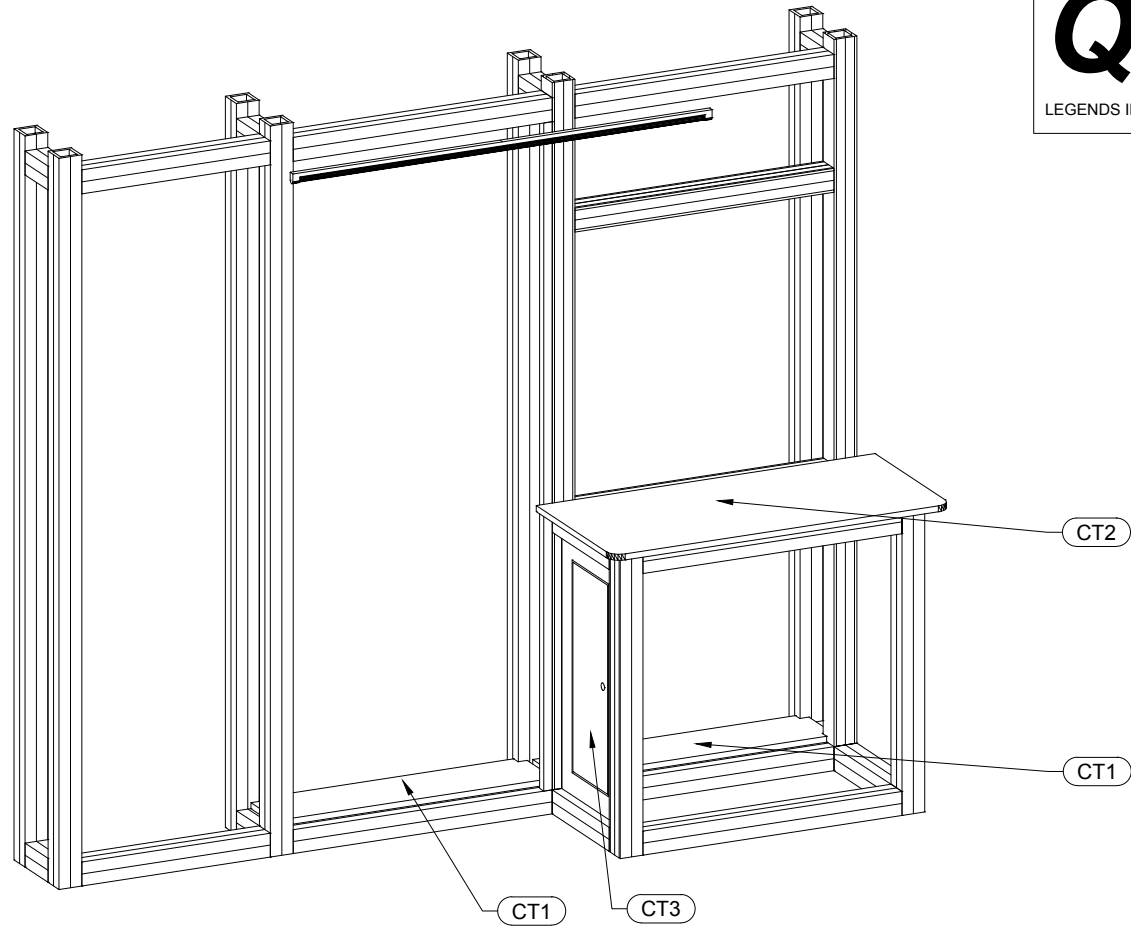
**Drawing Name:** A02\_Gold Package  
**Show Code:** T165960918  
**Venue:** Hyatt Regency Hill Country Resort & Spa

**Show Name:** Best Practices for Oil & Gas  
**Designer:** A. BECKER  
**Account Exec:** O. SHAIKH  
**Date:** 4/11/2018  
**Rev. Date:** 8/21/2018

**Shepard Expo • shepardes.com**  
 1531 Carroll Dr. NW | Tel: 404.720.8600  
 Atlanta, GA 30318 | Fax: 404.720.8750

# CTOPS & SHELVES

**QTY 6**  
 LEGENDS INCLUDE PARTS TO BUILD 6 TOTAL UNITS



Other Items (x6)							
#	Qty	Part Number	Clr/Mtrl	Width	Length	Type	Note
CT1	12	M02AE-0CT	White	38 1/4 [970]	8 7/8 [227]	MELAMIN-13	
CT2	6	M02CE11CT	White	46 7/8 [1190]	21 7/8 [555]	MELAMIN-19	See Dwg
CT3	6	MC-860SW	White	16 3/8 [415]	33 7/8 [860]	MELAMIN-19	



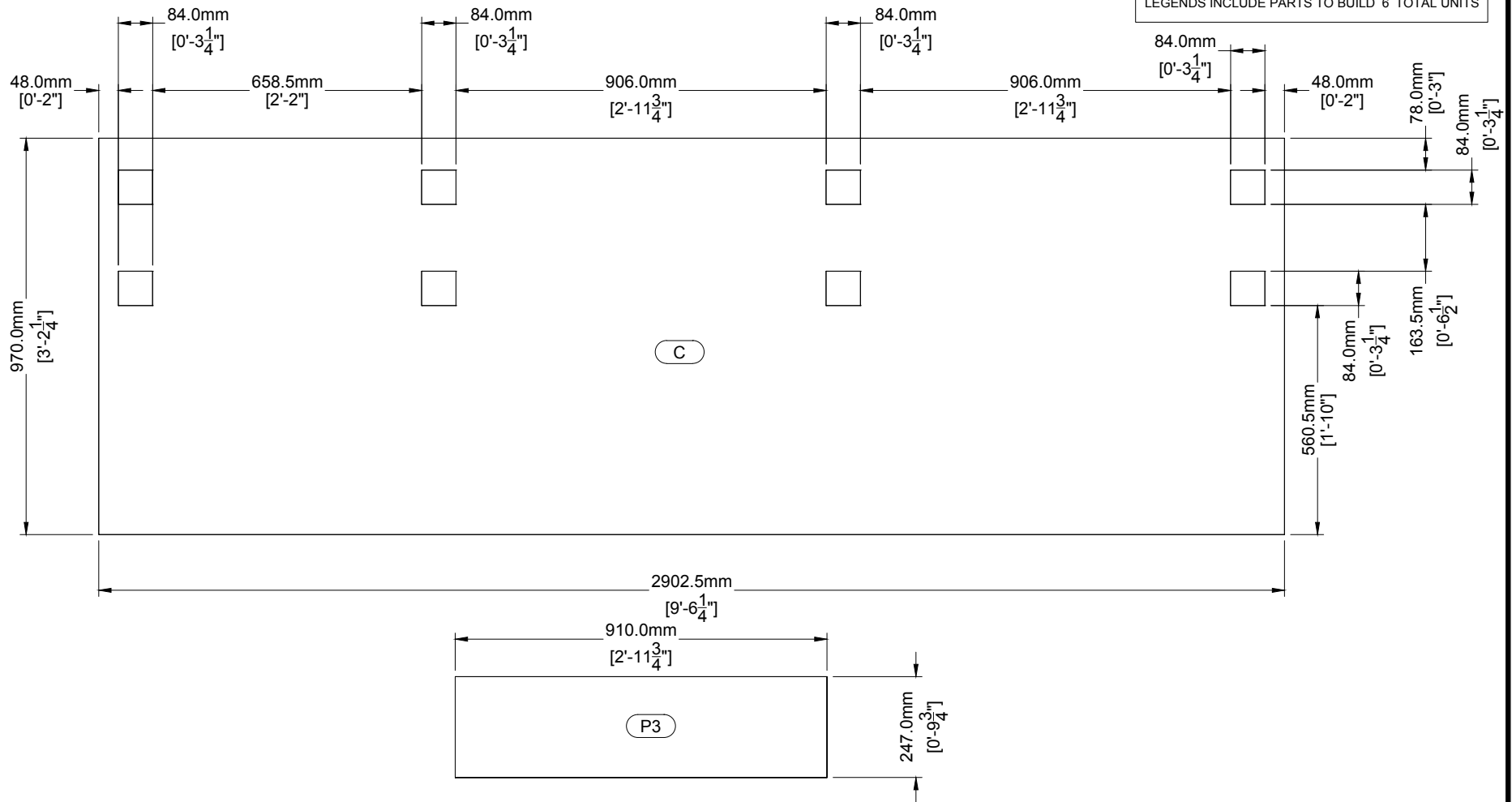
**Drawing Name:** A02\_Gold Package  
**Show Code:** T165960918  
**Venue:** Hyatt Regency Hill Country Resort & Spa

**Show Name:** Best Practices for Oil & Gas  
**Designer:** A. BECKER  
**Account Exec:** O. SHAIKH  
**Date:** 4/11/2018  
**Rev. Date:** 8/21/2018

**Shepard Expo • shepardes.com**  
 1531 Carroll Dr. NW | Tel: 404.720.8600  
 Atlanta, GA 30318 | Fax: 404.720.8750

# ROUTED CANOPY PATHS

**QTY 6**  
 LEGENDS INCLUDE PARTS TO BUILD 6 TOTAL UNITS



Non-Art Panels (x6)								
#	Qty	Part Number	Color A	Color B	Length	Height	Material	Note
P1	6	ME-872	White	White	36 1/4 [922]	34 3/8 [872]	Trovicel	
P2	12	PNL_327-2385	White	White	12 7/8 [327]	93 7/8 [2385]	Trovicel	
P3	6	PNL_492-1020	White	White	19 3/8 [492]	40 1/8 [1020]	Trovicel	
P4	36	PNL_910-247	White	White	35 7/8 [910]	9 3/4 [247]	Gator51	Adhere To Canopy
P5	6	PNL_910-910	White	White	35 7/8 [910]	35 7/8 [910]	Melamin-13	Mntr Brkt, Biscuits, In Channel

Art Panels (x6)									
#	Qty	Part Number	Color A	Color B	Art	Length	Height	Material	Note
A	6	PNL_1070-1370	White	White	S	42 1/8 [1070]	53 7/8 [1370]	Trovicel	Art
B	6	PNL_1079-1020	White	White	S	42 1/2 [1079]	40 1/8 [1020]	Trovicel	Art
C	6	PNL_2902-970	White	White	S	114 1/4 [2902]	38 1/4 [970]	Gator51	No Art, Cnc, 8 Notches, See Dwg
D	6	PNL_782-2385	White	White	S	30 3/4 [782]	93 7/8 [2385]	Trovicel	Art
E	6	PNL_950-2385	White	White	S	37 3/8 [950]	93 7/8 [2385]	Trovicel	Art

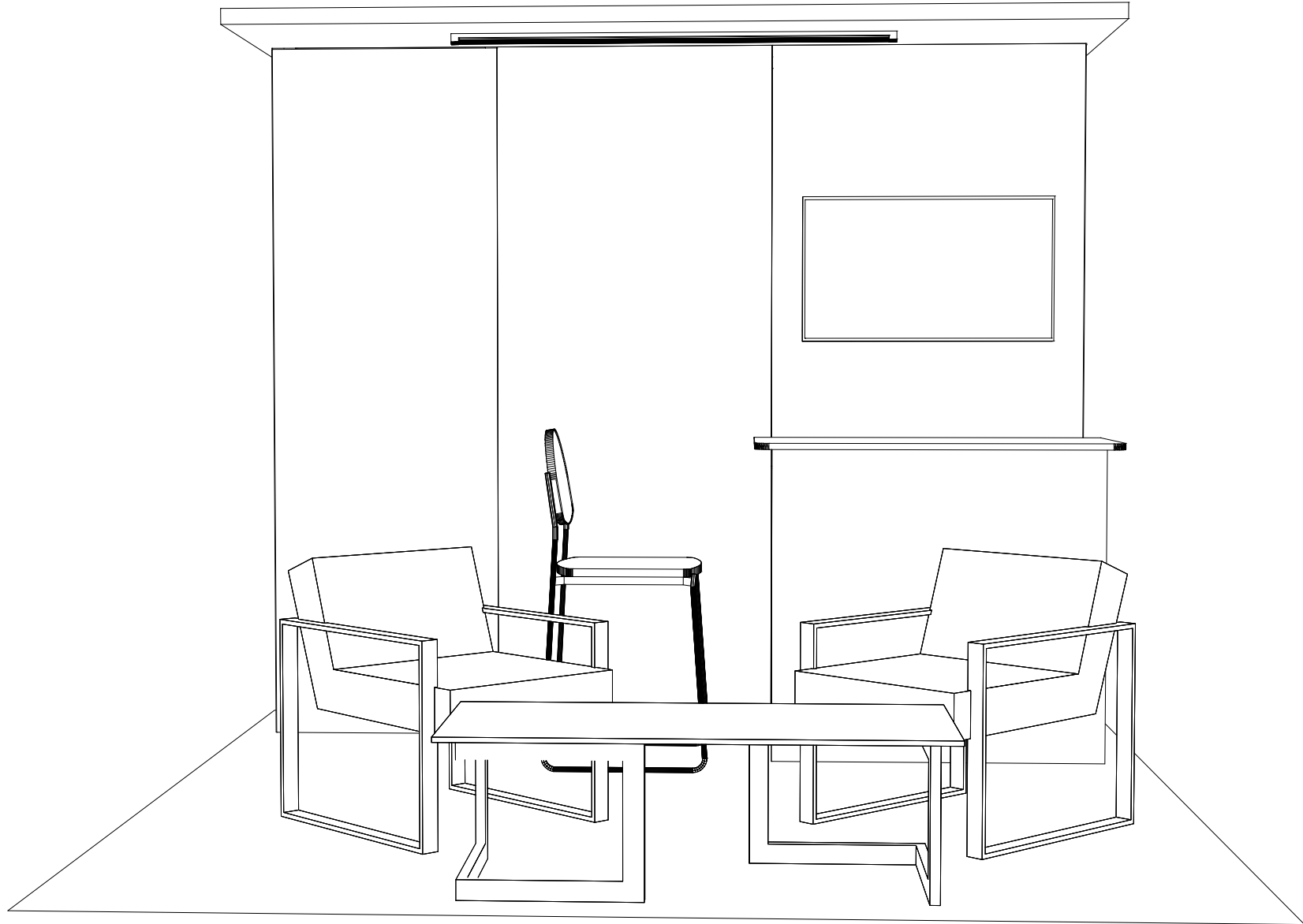


**Drawing Name:** A02\_Gold Package  
**Show Code:** T165960918  
**Venue:** Hyatt Regency Hill Country Resort & Spa

**Show Name:** Best Practices for Oil & Gas  
**Designer:** A. BECKER  
**Account Exec:** O. SHAIKH  
**Date:** 4/11/2018  
**Rev. Date:** 8/21/2018

**Shepard Expo • shepardes.com**  
 1531 Carroll Dr. NW | Tel: 404.720.8600  
 Atlanta, GA 30318 | Fax: 404.720.8750

# PERSPECTIVE 1



**Drawing Name:** A02\_Gold Package

**Show Code:** T165960918

**Venue:** Hyatt Regency Hill Country Resort & Spa

**Show Name:** Best Practices for Oil & Gas

**Designer:** A. BECKER

**Account Exec:** O. SHAIKH

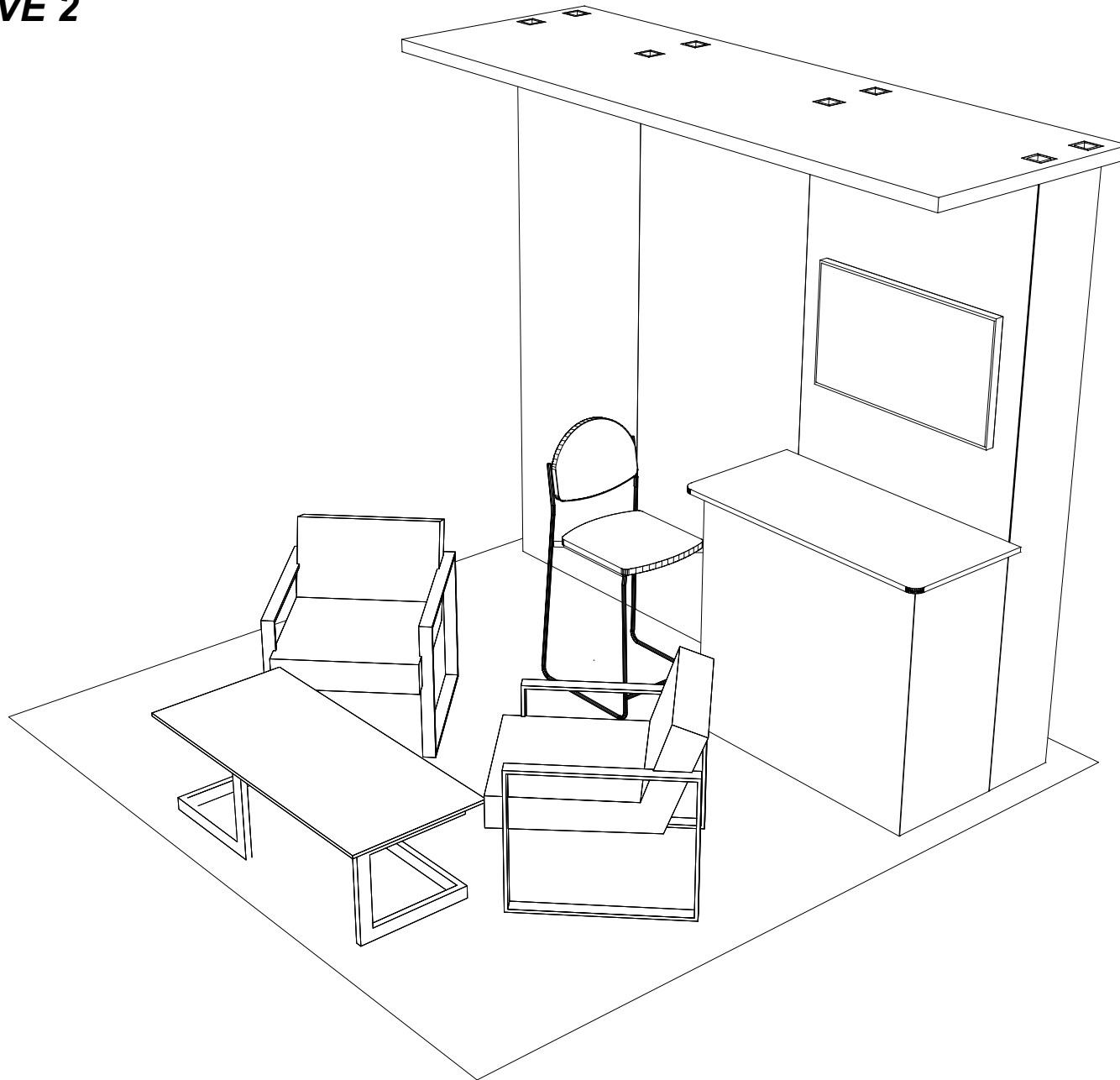
**Date:** 4/11/2018

**Rev. Date:** 8/21/2018

**Shepard Expo** • [shepardes.com](http://shepardes.com)

1531 Carroll Dr. NW | Tel: 404.720.8600  
Atlanta, GA 30318 | Fax: 404.720.8750

# PERSPECTIVE 2



**Drawing Name:** A02\_Gold Package

**Show Code:** T165960918

**Venue:** Hyatt Regency Hill Country Resort & Spa

**Show Name:** Best Practices for Oil & Gas

**Designer:** A. BECKER

**Account Exec:** O. SHAIKH

**Date:** 4/11/2018

**Rev. Date:** 8/21/2018

**Shepard Expo** • [shepardes.com](http://shepardes.com)

1531 Carroll Dr. NW | Tel: 404.720.8600  
Atlanta, GA 30318 | Fax: 404.720.8750



**LEGEND****QTY 6**

LEGENDS INCLUDE PARTS TO BUILD 6 TOTAL UNITS

Art Panels (x6)									
#	Qty	Part Number	Color A	Color B	Art	Length	Height	Material	Note
A	6	PNL_1070-1370	White	White	S	42 1/8 [1070]	53 7/8 [1370]	Trovicel	Art
B	6	PNL_1079-1020	White	White	S	42 1/2 [1079]	40 1/8 [1020]	Trovicel	Art
C	6	PNL_2902-970	White	White	S	114 1/4 [2902]	38 1/4 [970]	Gator51	No Art, Cnc, 8 Notches, See Dwg
D	6	PNL_782-2385	White	White	S	30 3/4 [782]	93 7/8 [2385]	Trovicel	Art
E	6	PNL_950-2385	White	White	S	37 3/8 [950]	93 7/8 [2385]	Trovicel	Art

Non-Art Panels (x6)									
#	Qty	Part Number	Color A	Color B	Length	Height	Material	Note	
P1	6	ME-872	White	White	36 1/4 [922]	34 3/8 [872]	Trovicel		
P2	12	PNL_327-2385	White	White	12 7/8 [327]	93 7/8 [2385]	Trovicel		
P3	6	PNL_492-1020	White	White	19 3/8 [492]	40 1/8 [1020]	Trovicel		
P4	36	PNL_910-247	White	White	35 7/8 [910]	9 3/4 [247]	Gator51	Adhere To Canopy	
P5	6	PNL_910-910	White	White	35 7/8 [910]	35 7/8 [910]	Melamin-13	Mntr Brkt, Biscuits, In Channel	

Accessories (x6)					
#	Qty	Part Number	Clr/Mtrl	Description	Note
A1	6	E-CORD	White	25' LONG	25' Long
A2	6	E460-SB	Gray	WIREWAY	
A3	6	LT-STICK_58	White		
A4	6	POWERSTRIP	White	6 POINTS	
A5	12	SANDBAG	White	COUNTER WT	
A6	6	VELCRO_TAPE_SB	White	VELCROTAPE	

Other Items (x6)							
#	Qty	Part Number	Clr/Mtrl	Width	Length	Type	Note
CT1	12	M02AE-0CT	White	38 1/4 [970]	8 7/8 [227]	MELAMIN-13	
CT2	6	M02CE11CT	White	46 7/8 [1190]	21 7/8 [555]	MELAMIN-19	See Dwg
CT3	6	MC-860SW	White	16 3/8 [415]	33 7/8 [860]	MELAMIN-19	

Metal (x6)						
#	Qty	Part Number	Color	Length	Type	Note
M1	6	M1012-1020	Silver	40 1/8 [1020]	Maxima	
M2	12	M1012-2440	Silver	96 1/8 [2440]	Maxima	
M3	12	M1012-910	Silver	35 7/8 [910]	Maxima	
M4	6	M1020-1020	Silver	40 1/8 [1020]	Maxima	
M5	48	M1020-167	Silver	6 5/8 [167]	Maxima	
M6	36	M1020-2440	Silver	96 1/8 [2440]	Maxima	
M7	24	M1020-415	Silver	16 3/8 [415]	Maxima	
M8	12	M1020-662	Silver	26 1/8 [662]	Maxima	
M9	48	M1020-910	Silver	35 7/8 [910]	Maxima	



Drawing Name: A02\_Gold Package

Show Code: T165960918

Venue: Hyatt Regency Hill Country Resort &amp; Spa

Show Name: Best Practices for Oil &amp; Gas

Designer: A. BECKER

Account Exec: O. SHAIKH

Date: 4/11/2018

Rev. Date: 8/21/2018

Shepard Expo • shepardes.com

1531 Carroll Dr. NW  
Atlanta, GA 30318Tel: 404.720.8600  
Fax: 404.720.8750