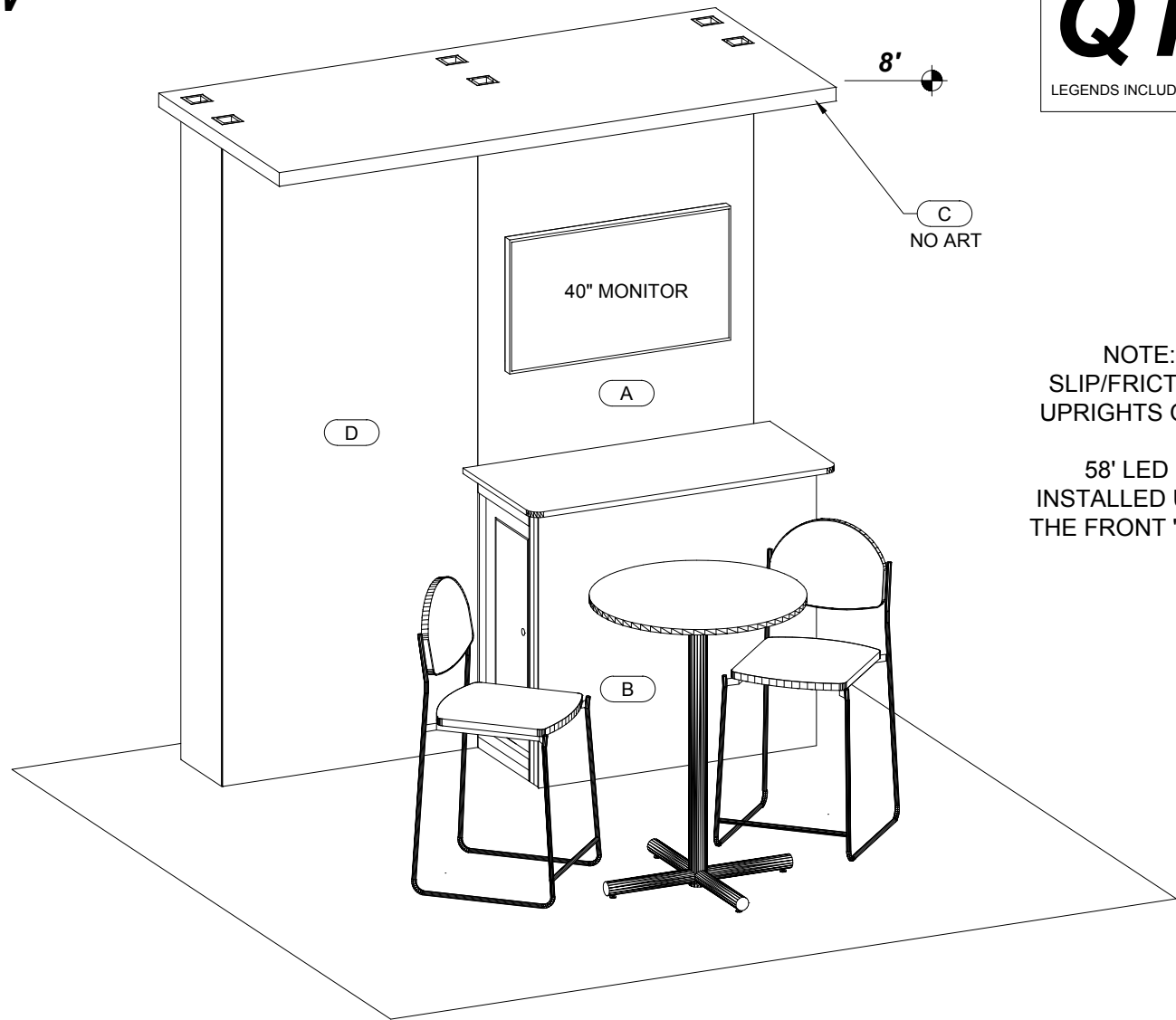


# ISOMETRIC VIEW

# QTY 23

LEGENDS INCLUDE PARTS TO BUILD 23 TOTAL UNITS



NOTE: CANOPY IS A SLIP/FRICTION FIT OVER THE UPRIGHTS OF THE BACKWALL.

58" LED FIXTURE TO BE INSTALLED UNDER CANOPY AT THE FRONT 'LIVE AREA' CENTER

Art Panels (x23)									
#	Qty	Part Number	Color A	Color B	Art	Length	Height	Material	Note
A	23	PNL_1070-1370	White	White	S	42 1/8 [1070]	53 7/8 [1370]	Trovicel	Art
B	23	PNL_1079-1020	White	White	S	42 1/2 [1079]	40 1/8 [1020]	Trovicel	Art
C	23	PNL_2160-970	White	White	S	85 [2160]	38 1/4 [970]	Gator51	No Art, Cnc, 6 Notches, See Dwg
D	23	PNL_990-2385	White	White	S	39 [990]	93 7/8 [2385]	Trovicel	Art



**Drawing Name:** A01\_Silver Package\_R1  
**Show Code:** T165960918  
**Venue:** Hyatt Regency Hill Country Resort & Spa

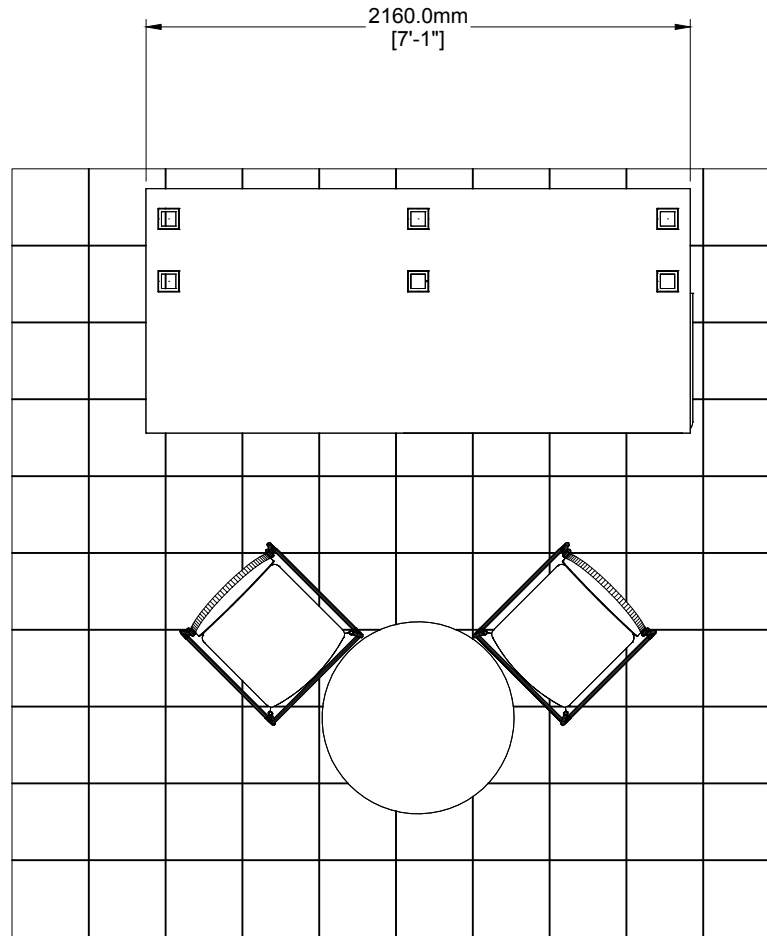
**Show Name:** Best Practices for Oil & Gas  
**Designer:** A. BECKER  
**Account Exec:** O. SHAIKH  
**Date:** 8/21/2018  
**Rev. Date:** 8/21/2018

**Shepard Expo • shepardes.com**  
 1531 Carroll Dr. NW | Tel: 404.720.8600  
 Atlanta, GA 30318 | Fax: 404.720.8750

# PLAN VIEW

CARPET SIZE: 10' x 10'

**QTY 23**  
LEGENDS INCLUDE PARTS TO BUILD 23 TOTAL UNITS



**Drawing Name:** A01\_Silver Package\_R1  
**Show Code:** T165960918  
**Venue:** Hyatt Regency Hill Country Resort & Spa

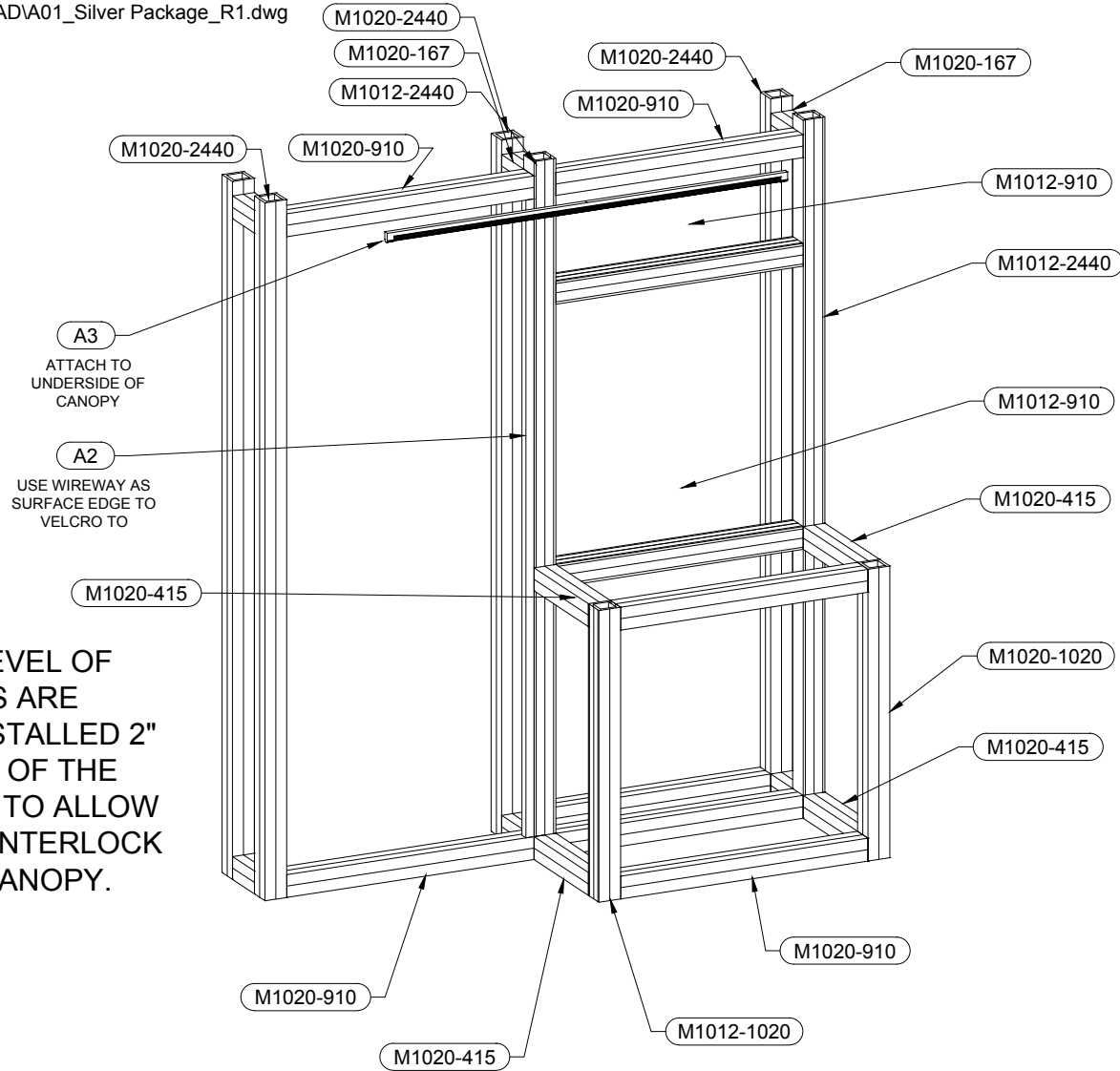
**Show Name:** Best Practices for Oil & Gas  
**Designer:** A. BECKER  
**Account Exec:** O. SHAIKH  
**Date:** 8/21/2018  
**Rev. Date:** 8/21/2018

**Shepard Expo • shepardes.com**  
1531 Carroll Dr. NW | Tel: 404.720.8600  
Atlanta, GA 30318 | Fax: 404.720.8750

# METAL VIEW

# QTY 23

LEGENDS INCLUDE PARTS TO BUILD 23 TOTAL UNITS



NOTE: UPPER LEVEL OF CROSSPIECES ARE INTENTIONALLY INSTALLED 2" BELOW THE TOP OF THE UPRIGHTS. THIS IS TO ALLOW THE UPRIGHTS TO INTERLOCK INTO THE TOP CANOPY.

Accessories (x23)

#	Qty	Part Number	Clr/Mtrl	Description	Note
A1	23	E-CORD	White	25' LONG	25' Long
A2	23	E460-SB	Gray	WIREWAY	
A3	23	LT-STICK_58	White		
A4	23	POWERSTRIP	White	6 POINTS	
A5	23	SANDBAG	White	COUNTER WT	
A6	23	VELCRO_TAPE_SB	White	VELCROTAPE	

Metal (x23)

#	Qty	Part Number	Color	Length	Type	Note
M1	23	M1012-1020	Silver	40 1/8 [1020]	Maxima	
M2	46	M1012-2440	Silver	96 1/8 [2440]	Maxima	
M3	46	M1012-910	Silver	35 7/8 [910]	Maxima	
M4	23	M1020-1020	Silver	40 1/8 [1020]	Maxima	
M5	138	M1020-167	Silver	6 5/8 [167]	Maxima	
M6	92	M1020-2440	Silver	96 1/8 [2440]	Maxima	
M7	92	M1020-415	Silver	16 3/8 [415]	Maxima	
M8	161	M1020-910	Silver	35 7/8 [910]	Maxima	



**Drawing Name:** A01\_Silver Package\_R1  
**Show Code:** T165960918  
**Venue:** Hyatt Regency Hill Country Resort & Spa

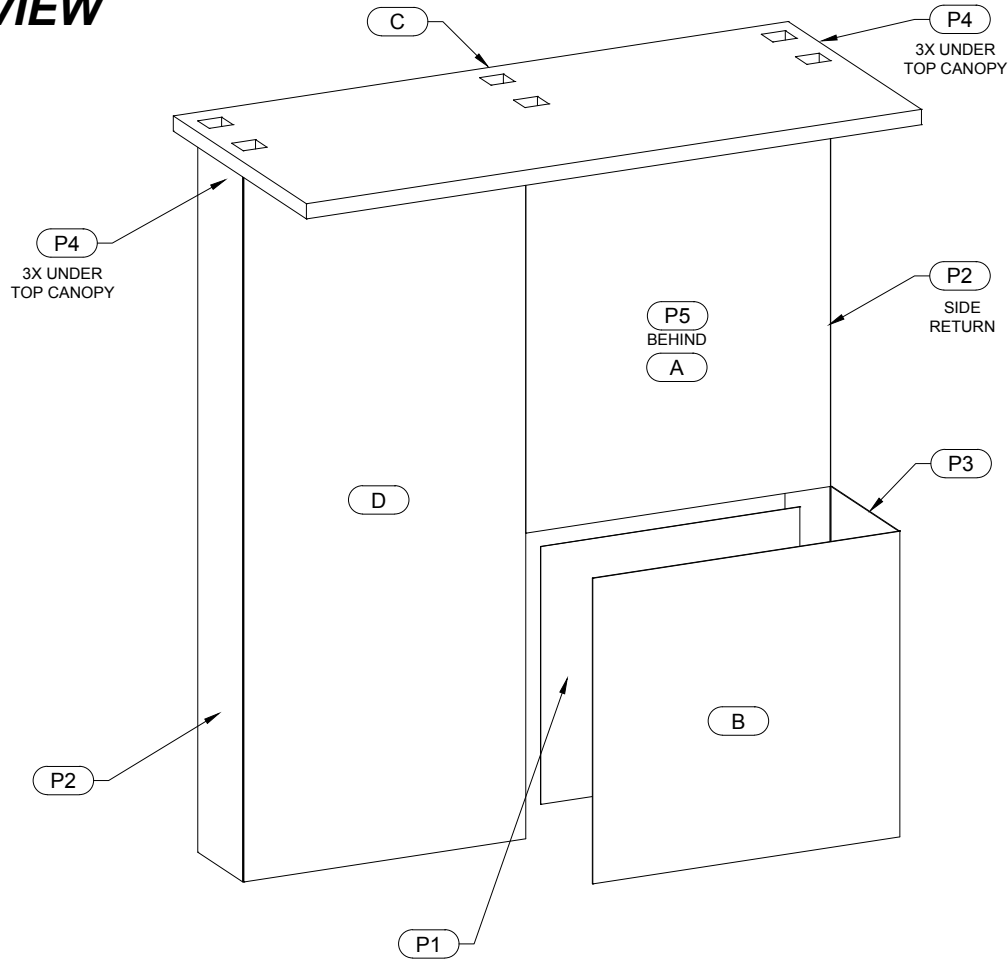
**Show Name:** Best Practices for Oil & Gas  
**Designer:** A. BECKER  
**Account Exec:** O. SHAIKH  
**Date:** 8/21/2018  
**Rev. Date:** 8/21/2018

**Shepard Expo • shepardes.com**  
 1531 Carroll Dr. NW | Tel: 404.720.8600  
 Atlanta, GA 30318 | Fax: 404.720.8750

# PANEL COLOR VIEW

## COLOR KEY

- PANEL:
- PLEXI:
- GRAPHICS:



QTY 23

LEGENDS INCLUDE PARTS TO BUILD 23 TOTAL UNITS

Non-Art Panels (x23)								
#	Qty	Part Number	Color A	Color B	Length	Height	Material	Note
P1	23	ME-872	White	White	36 1/4 [922]	34 3/8 [872]	Trovicel	
P2	46	PNL_327-2385	White	White	12 7/8 [327]	93 7/8 [2385]	Trovicel	
P3	23	PNL_492-1020	White	White	19 3/8 [492]	40 1/8 [1020]	Trovicel	
P4	138	PNL_910-247	White	White	35 7/8 [910]	9 3/4 [247]	Gator51	Adhere To Canopy
P5	23	PNL_910-910	White	White	35 7/8 [910]	35 7/8 [910]	Melamin-13	Mntr Brkt, Biscuits, In Channel

Art Panels (x23)										
#	Qty	Part Number	Color A	Color B	Art	Length	Height	Material	Note	
A	23	PNL_1070-1370	White	White	S	42 1/8 [1070]	53 7/8 [1370]	Trovicel	Art	
B	23	PNL_1079-1020	White	White	S	42 1/2 [1079]	40 1/8 [1020]	Trovicel	Art	
C	23	PNL_2160-970	White	White	S	85 [2160]	38 1/4 [970]	Gator51	No Art, Cnc, 6 Notches, See Dwg	
D	23	PNL_990-2385	White	White	S	39 [990]	93 7/8 [2385]	Trovicel	Art	



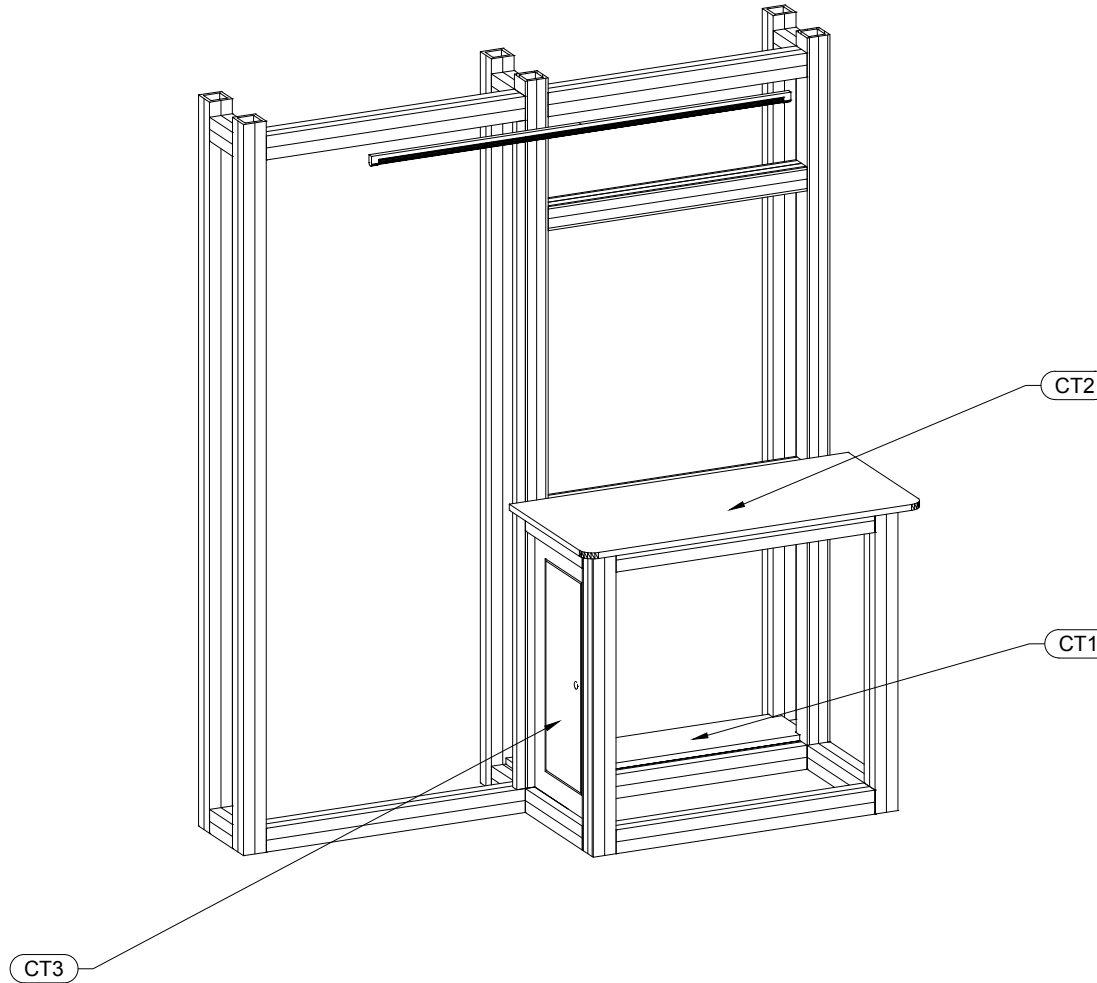
**Drawing Name:** A01\_Silver Package\_R1  
**Show Code:** T165960918  
**Venue:** Hyatt Regency Hill Country Resort & Spa

**Show Name:** Best Practices for Oil & Gas  
**Designer:** A. BECKER  
**Account Exec:** O. SHAIKH  
**Date:** 8/21/2018  
**Rev. Date:** 8/21/2018

**Shepard Expo • shepardes.com**  
 1531 Carroll Dr. NW | Tel: 404.720.8600  
 Atlanta, GA 30318 | Fax: 404.720.8750

# CTOPS & SHELVES

**QTY 23**  
 LEGENDS INCLUDE PARTS TO BUILD 23 TOTAL UNITS



Other Items (x23)							
#	Qty	Part Number	Clr/Mtrl	Width	Length	Type	Note
CT1	23	M02AE-0CT	White	38 1/4 [970]	8 7/8 [227]	MELAMIN-13	
CT2	23	M02CE11CT	White	46 7/8 [1190]	21 7/8 [555]	MELAMIN-19	See Dwg
CT3	23	MC-860SW	White	16 3/8 [415]	33 7/8 [860]	MELAMIN-19	



**Drawing Name:** A01\_Silver Package\_R1  
**Show Code:** T165960918  
**Venue:** Hyatt Regency Hill Country Resort & Spa

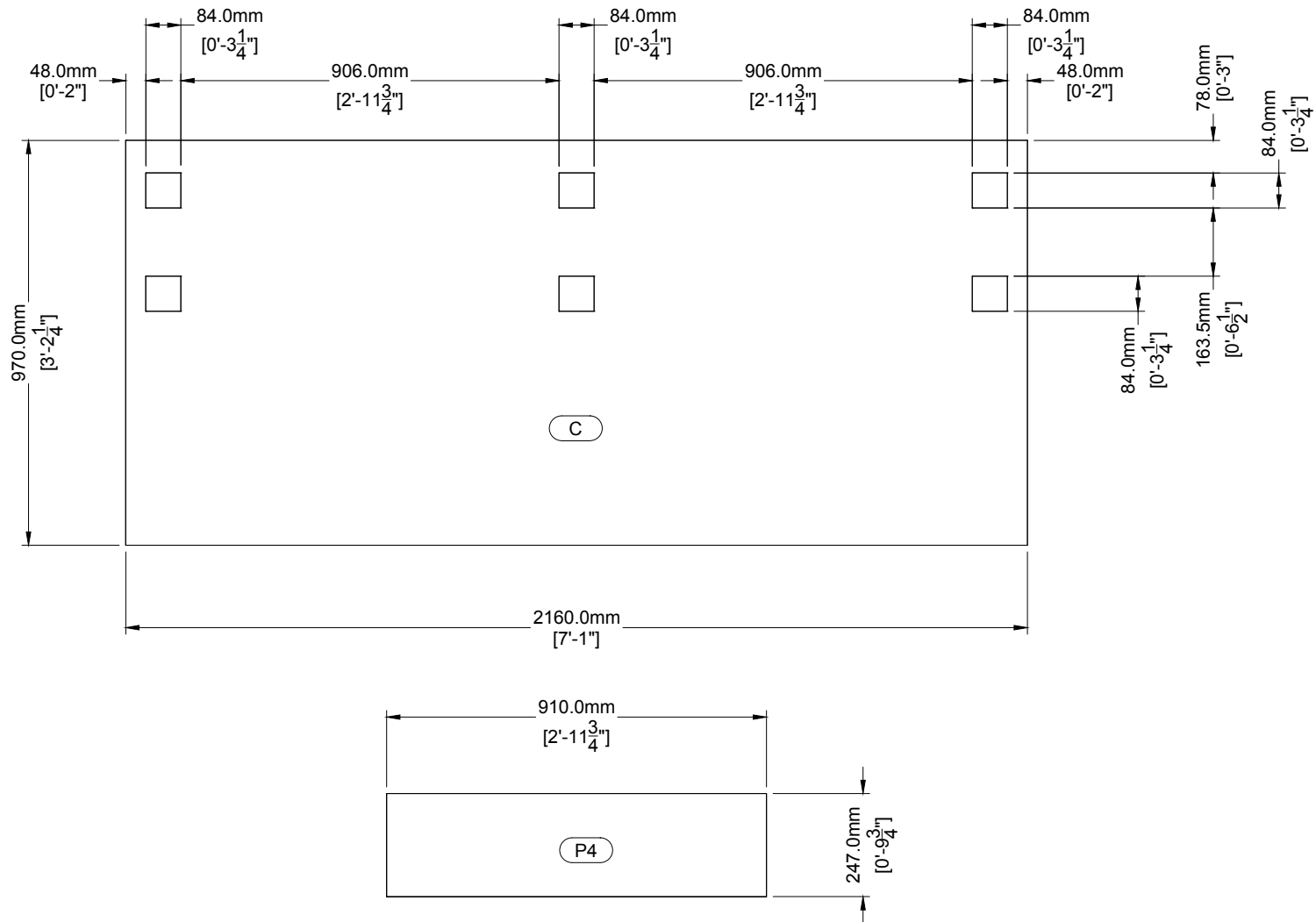
**Show Name:** Best Practices for Oil & Gas  
**Designer:** A. BECKER  
**Account Exec:** O. SHAIKH  
**Date:** 8/21/2018  
**Rev. Date:** 8/21/2018

**Shepard Expo • shepardes.com**  
 1531 Carroll Dr. NW | Tel: 404.720.8600  
 Atlanta, GA 30318 | Fax: 404.720.8750

# ROUTED CANOPY PATHS

## COLOR KEY

- PANEL:
- PLEXI:
- GRAPHICS:



Non-Art Panels (x23)								
#	Qty	Part Number	Color A	Color B	Length	Height	Material	Note
P1	23	ME-872	White	White	36 1/4 [922]	34 3/8 [872]	Trovicel	
P2	46	PNL_327-2385	White	White	12 7/8 [327]	93 7/8 [2385]	Trovicel	
P3	23	PNL_492-1020	White	White	19 3/8 [492]	40 1/8 [1020]	Trovicel	
P4	138	PNL_910-247	White	White	35 7/8 [910]	9 3/4 [247]	Gator51	Adhere To Canopy
P5	23	PNL_910-910	White	White	35 7/8 [910]	35 7/8 [910]	Melamin-13	Mntr Brkt, Biscuits, In Channel

Art Panels (x23)										
#	Qty	Part Number	Color A	Color B	Art	Length	Height	Material	Note	
A	23	PNL_1070-1370	White	White	S	42 1/8 [1070]	53 7/8 [1370]	Trovicel	Art	
B	23	PNL_1079-1020	White	White	S	42 1/2 [1079]	40 1/8 [1020]	Trovicel	Art	
C	23	PNL_2160-970	White	White	S	85 [2160]	38 1/4 [970]	Gator51	No Art, Cnc, 6 Notches, See Dwg	
D	23	PNL_990-2385	White	White	S	39 [990]	93 7/8 [2385]	Trovicel	Art	

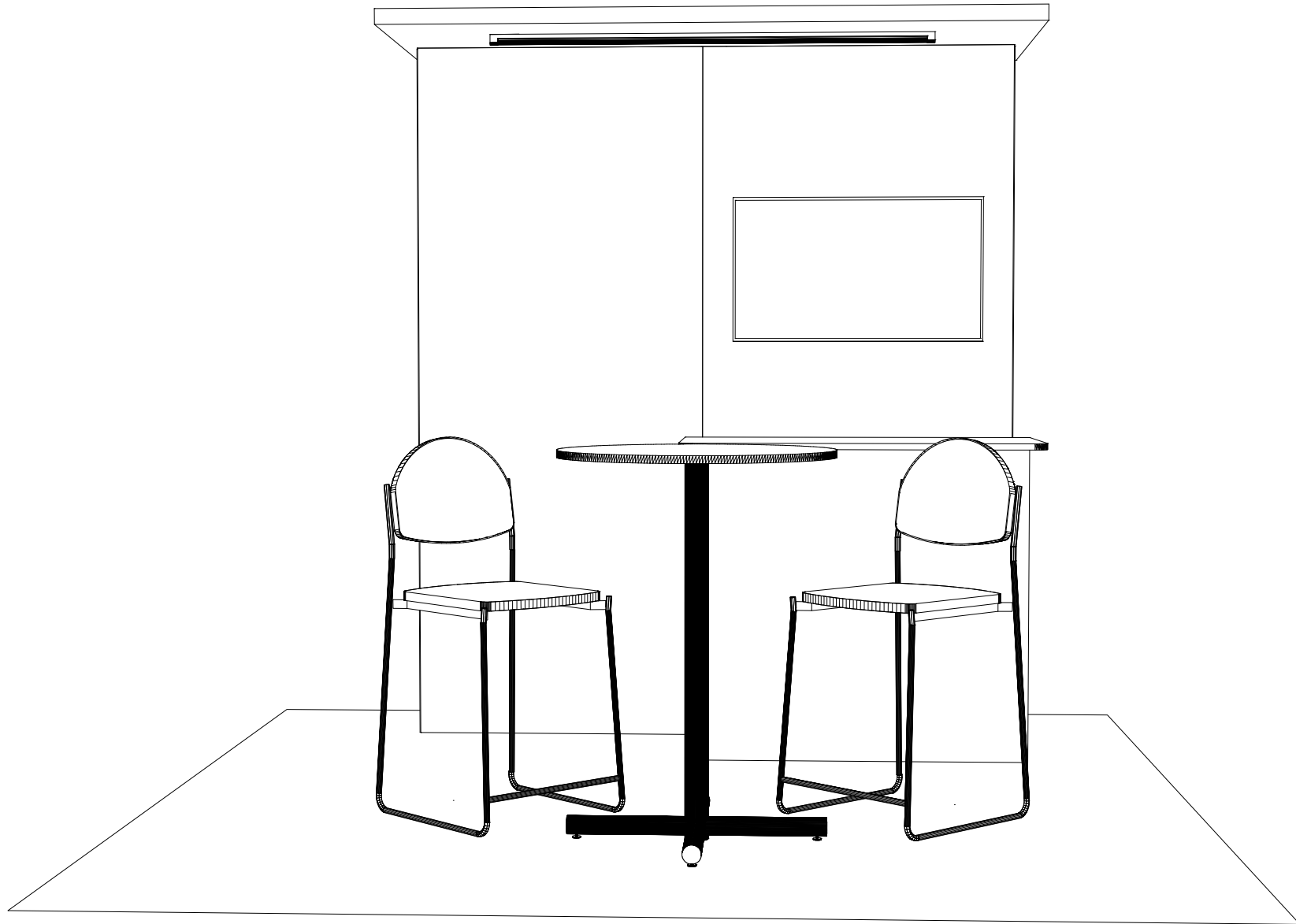


**Drawing Name:** A01\_Silver Package\_R1  
**Show Code:** T165960918  
**Venue:** Hyatt Regency Hill Country Resort & Spa

**Show Name:** Best Practices for Oil & Gas  
**Designer:** A. BECKER  
**Account Exec:** O. SHAIKH  
**Date:** 8/21/2018  
**Rev. Date:** 8/21/2018

**Shepard Expo • shepardes.com**  
 1531 Carroll Dr. NW | Tel: 404.720.8600  
 Atlanta, GA 30318 | Fax: 404.720.8750

# PERSPECTIVE 1



**Drawing Name:** A01\_Silver Package\_R1

**Show Code:** T165960918

**Venue:** Hyatt Regency Hill Country Resort & Spa

**Show Name:** Best Practices for Oil & Gas

**Designer:** A. BECKER

**Account Exec:** O. SHAIKH

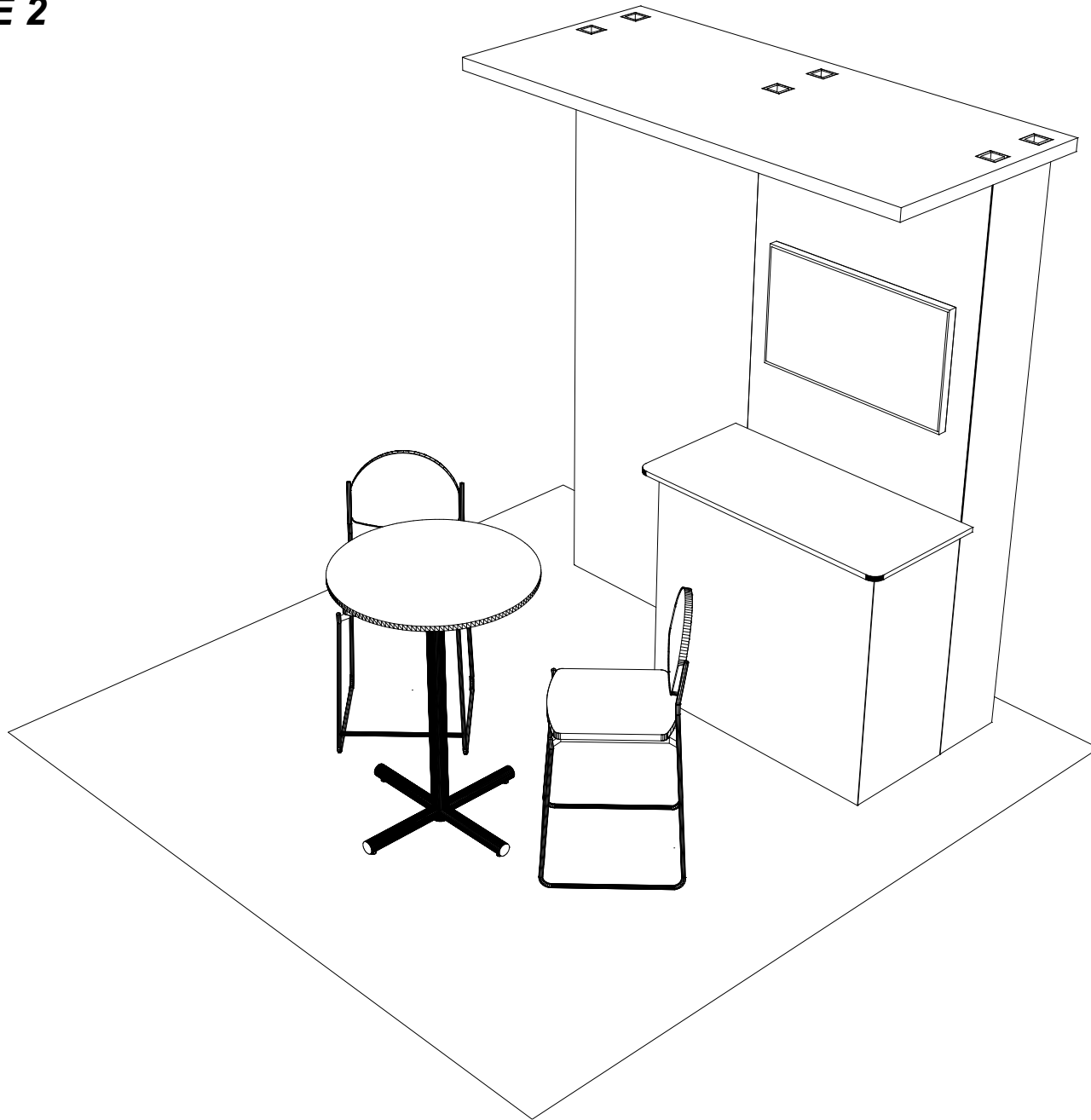
**Date:** 8/21/2018

**Rev. Date:** 8/21/2018

**Shepard Expo • shepardes.com**

1531 Carroll Dr. NW | Tel: 404.720.8600  
Atlanta, GA 30318 | Fax: 404.720.8750

# PERSPECTIVE 2



**Drawing Name:** A01\_Silver Package\_R1

**Show Code:** T165960918

**Venue:** Hyatt Regency Hill Country Resort & Spa

**Show Name:** Best Practices for Oil & Gas

**Designer:** A. BECKER

**Account Exec:** O. SHAIKH

**Date:** 8/21/2018

**Rev. Date:** 8/21/2018

**Shepard Expo** • [shepardes.com](http://shepardes.com)

1531 Carroll Dr. NW | Tel: 404.720.8600  
Atlanta, GA 30318 | Fax: 404.720.8750



**LEGEND****QTY 23**

LEGENDS INCLUDE PARTS TO BUILD 23 TOTAL UNITS

Art Panels (x23)

#	Qty	Part Number	Color A	Color B	Art	Length	Height	Material	Note
A	23	PNL_1070-1370	White	White	S	42 1/8 [1070]	53 7/8 [1370]	Trovicel	Art
B	23	PNL_1079-1020	White	White	S	42 1/2 [1079]	40 1/8 [1020]	Trovicel	Art
C	23	PNL_2160-970	White	White	S	85 [2160]	38 1/4 [970]	Gator51	No Art, Cnc, 6 Notches, See Dwg
D	23	PNL_990-2385	White	White	S	39 [990]	93 7/8 [2385]	Trovicel	Art

Non-Art Panels (x23)

#	Qty	Part Number	Color A	Color B	Length	Height	Material	Note
P1	23	ME-872	White	White	36 1/4 [922]	34 3/8 [872]	Trovicel	
P2	46	PNL_327-2385	White	White	12 7/8 [327]	93 7/8 [2385]	Trovicel	
P3	23	PNL_492-1020	White	White	19 3/8 [492]	40 1/8 [1020]	Trovicel	
P4	138	PNL_910-247	White	White	35 7/8 [910]	9 3/4 [247]	Gator51	Adhere To Canopy
P5	23	PNL_910-910	White	White	35 7/8 [910]	35 7/8 [910]	Melamin-13	Mntr Brkt, Biscuits, In Channel

Accessories (x23)

#	Qty	Part Number	Clr/Mtrl	Description	Note
A1	23	E-CORD	White	25' LONG	25' Long
A2	23	E460-SB	Gray	WIREWAY	
A3	23	LT-STICK_58	White		
A4	23	POWERSTRIP	White	6 POINTS	
A5	23	SANDBAG	White	COUNTER WT	
A6	23	VELCRO_TAPE_SB	White	VELCROTAPE	

Other Items (x23)

#	Qty	Part Number	Clr/Mtrl	Width	Length	Type	Note
CT1	23	M02AE-0CT	White	38 1/4 [970]	8 7/8 [227]	MELAMIN-13	
CT2	23	M02CE11CT	White	46 7/8 [1190]	21 7/8 [555]	MELAMIN-19	See Dwg
CT3	23	MC-860SW	White	16 3/8 [415]	33 7/8 [860]	MELAMIN-19	

Metal (x23)

#	Qty	Part Number	Color	Length	Type	Note
M1	23	M1012-1020	Silver	40 1/8 [1020]	Maxima	
M2	46	M1012-2440	Silver	96 1/8 [2440]	Maxima	
M3	46	M1012-910	Silver	35 7/8 [910]	Maxima	
M4	23	M1020-1020	Silver	40 1/8 [1020]	Maxima	
M5	138	M1020-167	Silver	6 5/8 [167]	Maxima	
M6	92	M1020-2440	Silver	96 1/8 [2440]	Maxima	
M7	92	M1020-415	Silver	16 3/8 [415]	Maxima	
M8	161	M1020-910	Silver	35 7/8 [910]	Maxima	



Drawing Name: A01\_Silver Package\_R1

Show Code: T165960918

Venue: Hyatt Regency Hill Country Resort &amp; Spa

Show Name: Best Practices for Oil &amp; Gas

Designer: A. BECKER

Account Exec: O. SHAIKH

Date: 8/21/2018

Rev. Date: 8/21/2018

Shepard Expo • shepardes.com

1531 Carroll Dr. NW  
Atlanta, GA 30318Tel: 404.720.8600  
Fax: 404.720.8750